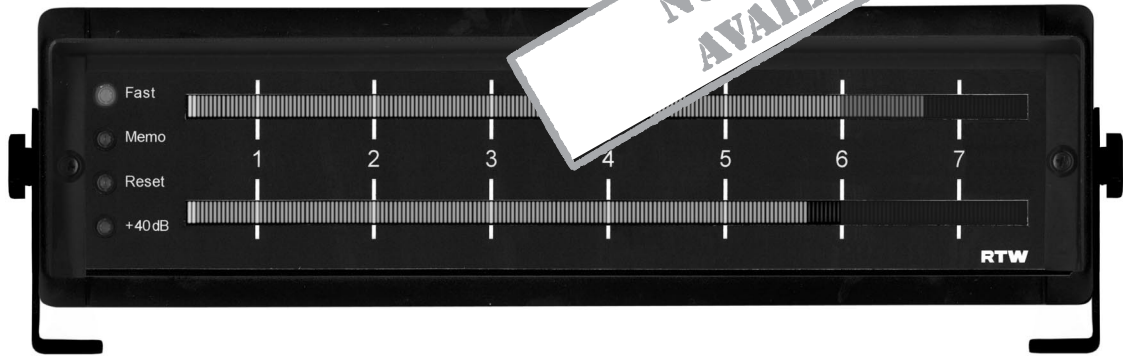


Data Sheet

Peakmeter 1227B

Description

The peakmeter 1227B is an analog instrument, 341 x 110 mm (Ø 100 mm) dimensioned and designed for table-top use. It is featured by a two-channel gas plasma display.



Analog • BRITISH • Transformer bal. • 10 ms/1 ms • Scale 254 mm • +40 dB/Memo

TECHNICAL SPECIFICATIONS

General

Supply voltage:	230 V (240 V) AC/115 V AC $\pm 10\%$ or +24 V DC $\pm 10\%$ or ± 15 V DC $\pm 10\%$
Current drain:	max. 300 mA/24 V
Weight:	approx. 2400 g
Dimensions:	341 x 110 mm, Ø 100 mm
Ambient temperature:	+5° to +45° Celsius
Connectors:	2 XLR female connector 8 pin DIN remote control socket European-type mains socket
Controls:	• 40 dB gain of input sensitivity • display of the stored peak values • memory reset • change of integration time
Indicators:	• Fast-LED (short integration time) • 40 dB-LED (additional input gain) • Memory-LED • Memory-Reset-LED

Peakmeter

Measuring standard:	BRITISH
Scale length:	254 mm
Display segments:	201 segments/channel
Scale range:	"1" to "7" (-12 dB to +12 dB)
Headroom segments:	"6" to "7"
Color of display:	to "6" orange, to "7" red
Measuring accuracy:	± 0.3 dB in the range of "1" to "7"
Integration time:	100 ms at "6" 10 ms at "5.5" 5 ms at "5" 1.5 ms at "3.75" 0.5 ms at "1.75"
Fall back time:	2.8 s for "7" to "1"

Inputs

XLR female connector:	transformer balanced
Input sensitivity	
for reading 6:	+8 dBu
Max. input level:	+21 dBu
Adjustable range of input sensitivity:	0 dBu to +18 dBu
Rejection factor:	> 60 dB
Input impedance:	> 10 k Ω (30 Hz to 20 kHz)

Items delivered

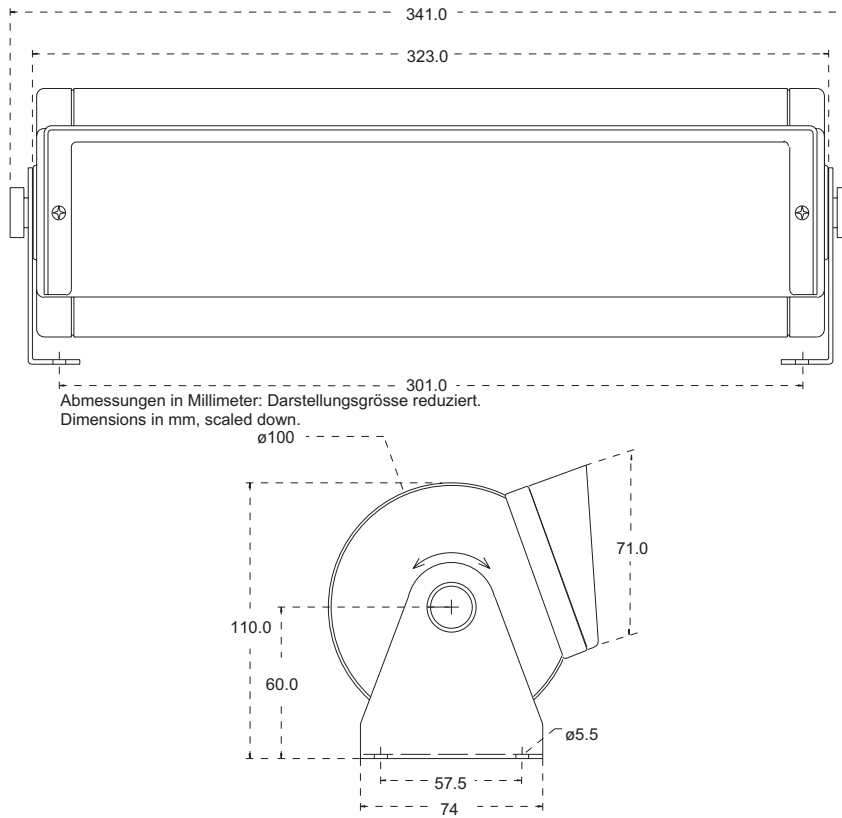
Peakmeter 1227B:	• power supply cable • 8 pin counter plug • operating manual
------------------	--

Order number: 1227B

Data Sheet

Peakmeter 1227B

DIMENSIONS



CONNECTION

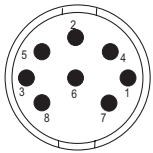
(View to mounted connectors)

Connectors

XLR connectors for L + R:

balanced use:	Pin 1	case
	Pin 2	+ (hot)
	Pin 3	- (cold)

8-pin DIN remote control socket:



Pin 1	external function selection: Scale switch
Pin 2	0 V
Pin 3	n. u.
Pin 4	+24 V
Pin 5	external function selection: Fast
Pin 6	external function selection: Gain
Pin 7	external function selection: Memory
Pin 8	external function selection: Memory reset

Power supply

European mains socket: 230/115 V AC 50/60 Hz

COLORS

RAL 9011 graphite black

ACCESSORIES



19" - 3U rack mount kit
Order no. 12995

Subject to technical changes without prior notice 10/2006

RTW

RTW RADIO-TECHNISCHE WERKSTÄTTEN GmbH & Co. KG
Elbeallee 19 • 50765 Köln • Germany
Phone: +49(0)221 - 7 09 13-33 • FAX: +49(0)221 - 7 09 13-32
Internet: www.rtw.de • E-Mail: rtw@rtw.de

Planning Guide • Page 1-16
Data Sheets Analog Peakmeter (Table-top Units)